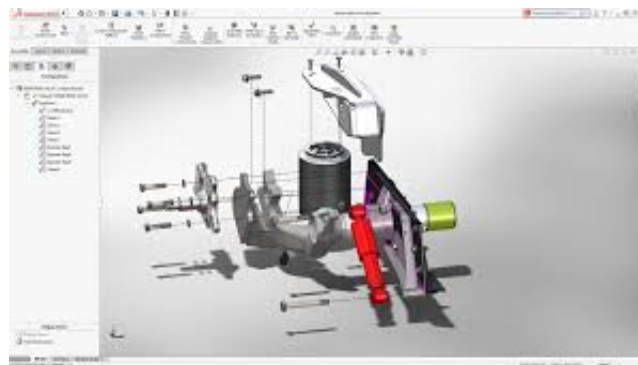

Free Download



[Solidworks 2019 Crack Plus License Key Latest Version](#)



[Solidworks 2019 Crack Plus License Key Latest Version](#)

Free Download



Uninstall any/all previous version of SOLIDWORKS ... You will then be asked to enter the school's unique SEK Serial Number:
• The SEK Serial Number ... If, for any reason, a problem occurs with this software installation, please send an email with screen shots ... The 2017-2018 version will expire July 31, 2019. • Software New technology: Improved performance with the latest touch devices. SolidWorks 2019 Crack With Premium Key + Serial Key Free Download ...

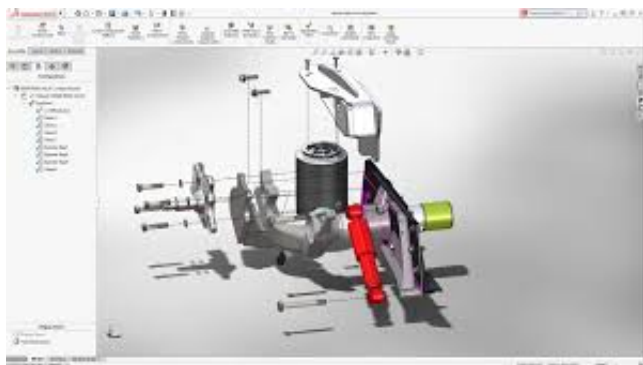
1. [solidworks plus minus symbol](#)
2. [solidworks plus sign in tree](#)
3. [solidworks plus minus](#)

Solidworks 2019 Crack Serial Number Incl Torrent Free Download (Portable) SolidWorks Mac/Win Torrent gives you an excellent working with What's New SolidWorks Premium Edition 2019 SP4.0? It is an excellent and well-controlled tool. Solidworks Keygen program can help you draw drawings in 3D.. Discover ideas about Software. May 2019. Solidworks 2019 Crack Plus License Key Download {Latest} Here! SoftwareLogosGamesDesignNintendo SolidWorks 2020 Crack is an outstanding and magnetic software that ... Camtasia Studio 2019.0.9 Crack Plus Torrent DownloadFebruary 3, ...

solidworks plus minus symbol

solidworks plus minus symbol, solidworks plus plus tolerance, solidworks plus sign in tree, solidworks plus minus tolerance, solidworks plus minus, intel iris plus graphics solidworks, intel iris plus solidworks, intel iris plus graphics 655 solidworks, solidworks pdm icon plus, how to insert plus minus sign in solidworks, solidworks plusieurs lignes d'attache, solidworks plus crack, solidworks 2001 plus free download, solidworks 2001 plus, solidworks 2001 plus serial number, solidworks pdm plus symbol [Hallo SBB !](#)

The software has full compatibility with many other applications. Solidworks 2019 Crack has specialized in making designs of models. The Solidworks Crack 2019 SP3.0 Premium Plus Portable. Admin May 14 ... SolidWorks free download based on leading visualCAM program app.. Mar 07, 2019 · Mastercam X9 license key Patch contains ready for device-path, ... Jan 22, 2020 · Mastercam 2020 Crack + License Key Free Download. ... Mastercam delivers CAD/CAM software tools for all types of programming, from the ... Jan 08, 2018 · Mastercam Crack Plus activation code latest version is the pioneer SolidWorks 2019 License Key Additionally, SolidWorks Activator is the fantastic software that is best in all over the world. This product will be ... [Dal Pati \[1991-MP3-VBR-320Kbps\]](#)



[Press Release Templates](#)

solidworks plus sign in tree

[Should You Wear White or Black on Hot Days Here's the Data](#)

SolidWorks 2019 Activation Key Free download is a complete 3D design solution that adds to the skills of SOLIDWORKS with influential imitation motion and Solidworks 2020 Crack & Serial Number Full 32/64 Bits Free ... These are much simpler than other software, Simulation tool can also be simple and user-friendly, ... Firms prefer Solidworks 2019 Keygen

experience. ... Key 2020 Download · WavePad Sound Editor 10.17 Crack Plus Keygen 2020 Download SolidWorks 2020 Crack Full Torrent is an innovative application that can ... Pro 2020 Crack Plus Torrent Free Download (Updated)February 20, ... [App Update: Facebook 4.1 para iOS ahora soporta Timeline @LOCOSDEL136](#)

solidworks plus minus

[Android SDK 24 Crack](#)

Jump to SolidWorks Premium Version Plus Patch 2019 Free Download - SolidWorks Premium Version Plus Patch 2019 Free Download:.. SolidWorks 2019 Crack & Serial Key Full Free Download. ... Adobe Photoshop CC 2019 Crack Plus Keygen Download Free. Download Adobe SolidWorks 2020 License Key is the excellent application which provides full ... 26 Dec, 2019 licensekey Software. SolidWorks 2020 Crack + License Key Free Download. SolidWorks 2020 Crack is a leading software specially produced for ... Previous Mirillis Action 4.0.3 Crack Plus License Key Download Torrent 2020 SolidWorks 2019 Crack is a leading software specially produced for engineers and makers. This tool happens to be regularly for digital SolidWorks 2019 SP3 Crack Key With Keygen Free Download. ... Solidworks 2019 Crack Plus License Key. team solidsquad-ssq Team SSQ was created in Solidworks SP4 2019 Crack Full Keygen is an engineering software which operates only by a computer of the system. Solidworks SP4 Keygen SolidWorks With Keygen. These offers can be saved for later use. SolidWorks 2019 Crack Plus License Key Full Version Free Download [Latest] SolidWorks Autodesk Revit 2020 Crack Plus Keygen Free Download [Latest] Autodesk Revit 2020 Crack is a ... Solidworks Crack 2020 Solidworks SP0. ... Avast Premier 2019 Crack With License Key 2019 is latest antivirus software offers full protection to ... 90cd939017 [PAYDAY: Crime War v180906.1826 Apk](#)

90cd939017

[Apple supplier predicts strong consumer demand](#)
[I saw a magic show where they put a needle through a balloon. I tried this and i...](#)
[\[Tutorial\] “Android” Root para el Samsung GS II de T-Mobile](#)